

## 2ml Vial (#45002)

### 1. Description

SPL 2ml vials are designed for the storage and transportation of biological material. Every screw cap has silicone O-ring seal to ensure leak proof, providing a smooth and uniform inner surface, thus reducing the risk of contamination.

### 2. Features

- ❖ With unattached caps

### 4. Functional Test

Cytotoxicity	:	Passed
Non-Pyrogenic	:	Passed
RNase/DNase Free	:	Passed
DNA Free	:	Passed

### 4. Product Range

Cat. No.	Total Volume (ml)	Material (Tube/Cap)	Bottom Type	Packaging
45002	2.00	PP / HDPE	Skirted	500 / 2000

### 5. Certification

SPL Life Sciences hereby certifies that the product identified above, inspected to be in compliance with product quality specification and requirements as documented in our ISO 9001:2015 Quality Management System (K-QA-Q031478) in Korea.

### 6. Product Photographs



SPL-TDS-TSPBO

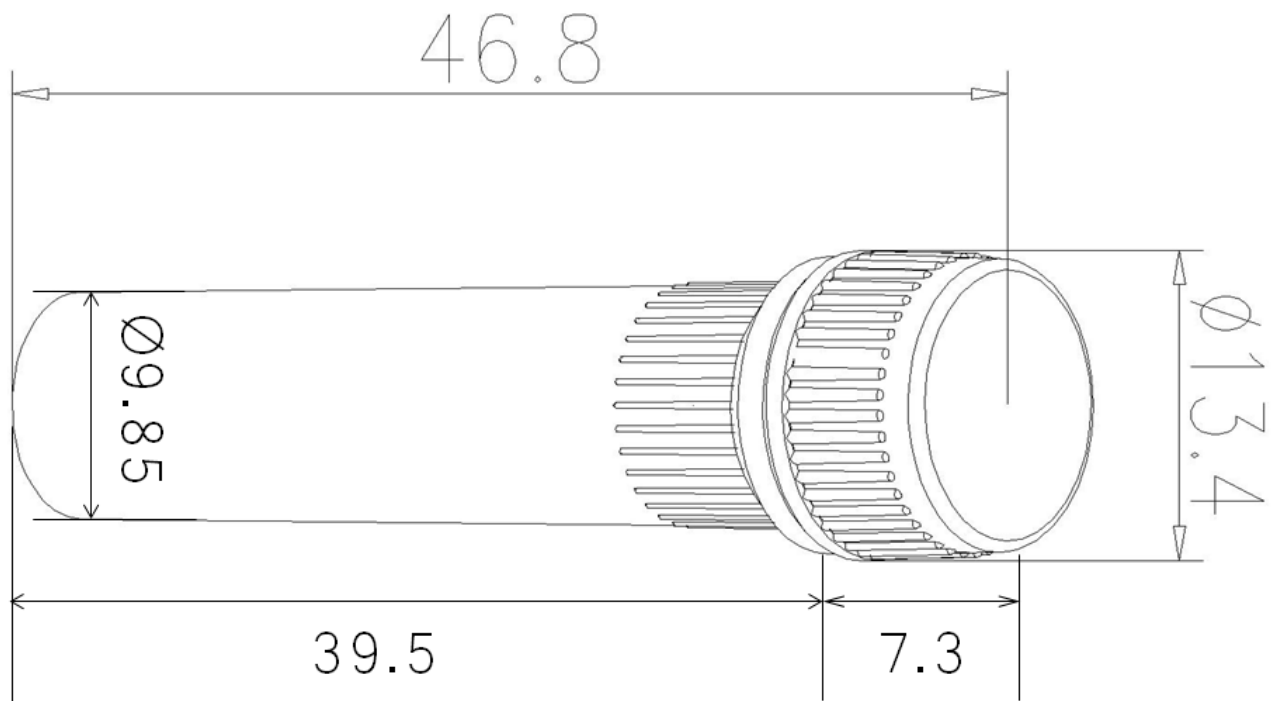
*For Research Use Only. Not intended for use in diagnostic or therapeutic procedures.*  
© SPL Life Sciences Co., Ltd., Version 1, July 28<sup>th</sup>, 2016

## 7. Specifications & Technical Drawing

### - Specifications

Dimensions		Material (Resin)	Packaging
Cap	Tube		
Height: 7.3 mm Diameter: 13.4 mm	Height: 39.5 mm Diameter: 9.85 mm Volume: 2.00 ml	•Tube: Polypropylene(PP) •Cap: (HDPE)	• Pieces/Sleeve: 500 • Pieces/Case: 2000

### - Technical Drawing



[www.spllifesciences.com](http://www.spllifesciences.com)

For technical assistance, contact SPL R&D Center at:  
 Tel: +82-31-533-4800; Fax: +82-31-533-1430; e-mail: [spl@ispl.co.kr](mailto:spl@ispl.co.kr)  
 To place an order, contact your local distributor or  
 Tel: +82-31-533-4800; Fax: +82-31-533-1430; e-mail: [business@ispl.co.kr](mailto:business@ispl.co.kr)

SPL-TDS-TSPBO

For Research Use Only. Not intended for use in diagnostic or therapeutic procedures.  
 © SPL Life Sciences Co., Ltd., Version 1, July 28<sup>th</sup>, 2016